

OmniLog®

SAFETY AND INSTALLATION INSTRUCTIONS

! CAUTION: Read and follow these instructions.

Avoid Contact with Hazardous Live Parts

⚡ WARNING: Risk of electrical shock. Refer servicing to qualified personnel. Do not open the back of the OmniLog without contacting Biolog. Always turn the instrument off and remove the power cord from the back prior to any maintenance or installation operation.

Specifications

Size	53 cm (21 in) W 81 cm (32 in) H 58 cm (23 in) D
Power	100 to 240VAC, 50 to 60 Hz
Operating Humidity Range	20% to 80% non-condensing
Operating Temp Range	18° to 28° C
Incubation Humidity Range	Ambient
Incubation Temp Range	20° to 45° C in the tray chamber during full capacity incubation and reading operation
Incubation Temp Consistency	+/- 2° C in the tray chamber
Temperature Control	Input of set temperature by external computer
Temperature Indication	Output to external computer and seven segment display
Other Indicators	Power On (green) Not At Temperature (red) Interrupt On (red)

Instructions for Use

The OmniLog® is intended for use incubating and reading Biolog MicroPlates™ and Phenotype MicroArrays™. Read and follow the instructions in the User Guide.

Inspection

Immediately upon receipt, inspect the OmniLog for shipping damage. The shipping container is designed so that this can be done without removing the OmniLog from its supporting pallet.

If the Shockwatch® label on the outside of the shipping container or on the OmniLog inside the container has turned red, or any other damage to the shipping container is visible, note this on the bill of lading before allowing the freight company to leave.

The OmniLog is a heavy but sensitive piece of equipment. Proceed carefully as follows to inspect for concealed damage.

- Unlatch and open the front door of the crate (shipping container). Use a 9/16” wrench to remove the six lag bolts around the bottom of the crate (two on each side, and two on the back).
- With the crate door swung wide open, carefully slide the shell of the crate back, away from the OmniLog.
- If the Shockwatch label on the OmniLog has turned red, or there is any visible damage to the OmniLog, immediately notify the freight carrier. Call Biolog Technical Applications & Service (TAS) so that they may assist you in making a claim against the freight company. Time is of the essence to make this claim. Preserve any damaged packaging to support your claim.

After inspection, if the OmniLog is not to be immediately installed, reassemble the crate by carefully sliding the shell into place until the holes line up for the lag bolts, then insert and tighten the lag bolts. Close and latch the door.

If the OmniLog in its shipping container is to be moved by a lift truck, move the forks of the truck together so that they will fit under the supporting pallet. Never attempt to move the unit by balancing it on one fork or by pushing it with the forks!

Immediately contact Biolog Technical Applications & Service if you have any concerns or questions about the condition of the OmniLog upon delivery.

Preparation for the Installation

The following preparations for the OmniLog work area should be made before it is installed:

- The work surface must be level and capable of supporting 90 kg (200 lb).
- At least 5 cm (2 in) clearance is required at each side of the OmniLog for ventilation.
- Nothing should be on the work surface under the OmniLog, which would obstruct the bottom vents.
- The available electrical outlet should be grounded.
- The electrical supply must be 100 to 240 VAC, 50 to 60 Hz. DO NOT change the voltage setting on the OmniLog. The OmniLog is self-switching to operate within the voltage range of your facility.
- The electrical circuit must have a capacity of at least 5 amperes for the OmniLog.
- Access must be available to the OmniLog external on/off switch, which is positioned on the lower right rear panel of the cabinet.

Installation

Unload the OmniLog Incubator Reader

After sliding the shell of the crate completely away from the OmniLog as it rests on its platform, as explained in the “Inspection” section above, lift the OmniLog up and away from the platform. Caution! Use at least two people and proper lifting technique!

Place the OmniLog on its work surface so that the corner of the back panel is accessible to reach the power switch and the three connections.

Setup the Computer and Accessories

- Place the computer near the OmniLog. Connect the computer, monitor, keyboard, mouse, and speaker according to the manufacturer’s instructions.
- (For MI or Combo systems, also connect the printer according to the manufacturer’s instructions.)

Connect the OmniLog Incubator Reader to the Computer

See also the Cable Connections Illustrations.

- Make note of the three connections on the back of the OmniLog:
 - 3-conductor IEC 60320 Inlet for AC Power
 - 9-pin DB9 Male Connector for RS232 Serial Connection
 - One of two possible video connections, located above the serial connection:
 - USB Type B Receptacle
 - VGA 15-pin D-sub Female Receptacle

Serial Connection

- Use the supplied DB9 Female-Female Null Modem Serial Cable (Biolog No. 5194) to connect the DB9 Receptacle on the OmniLog to the primary Serial Port on the computer.

Video Connection

- If the OmniLog has a USB Video Receptacle, use the supplied USB Cable (Biolog No. 5198) to connect it to a USB Port on the computer.
- If the OmniLog has a VGA Video Receptacle, use the supplied Video Noise Suppression Cable (Biolog No. 90714) to connect it to the Framegrabber Card at the back of the computer (this card can be recognized because it has an unused RCA Composite Video Connector next to the 15-pin D-sub Male Receptacle).

Power Connection

- Connect the Power Cord to the OmniLog, and to a suitable power source.

System Limitations

The system is for use with the Dell computer as shipped. The computer is loaded with software which is calibrated for the specific serial number OmniLog.

For those wanting to use backup systems, ghost drives are not acceptable. Other backup systems need to be validated by the end user as non-interfering. It is very important that any backup software not interrupt the OmniLog program, especially while a batch is being assayed, which may take longer than 24 hours.

The computer connection to the OmniLog must be as specified. See the following cable connection illustration specific for the system ordered. The specific cable connection illustration is also included in the box of interconnect cables.

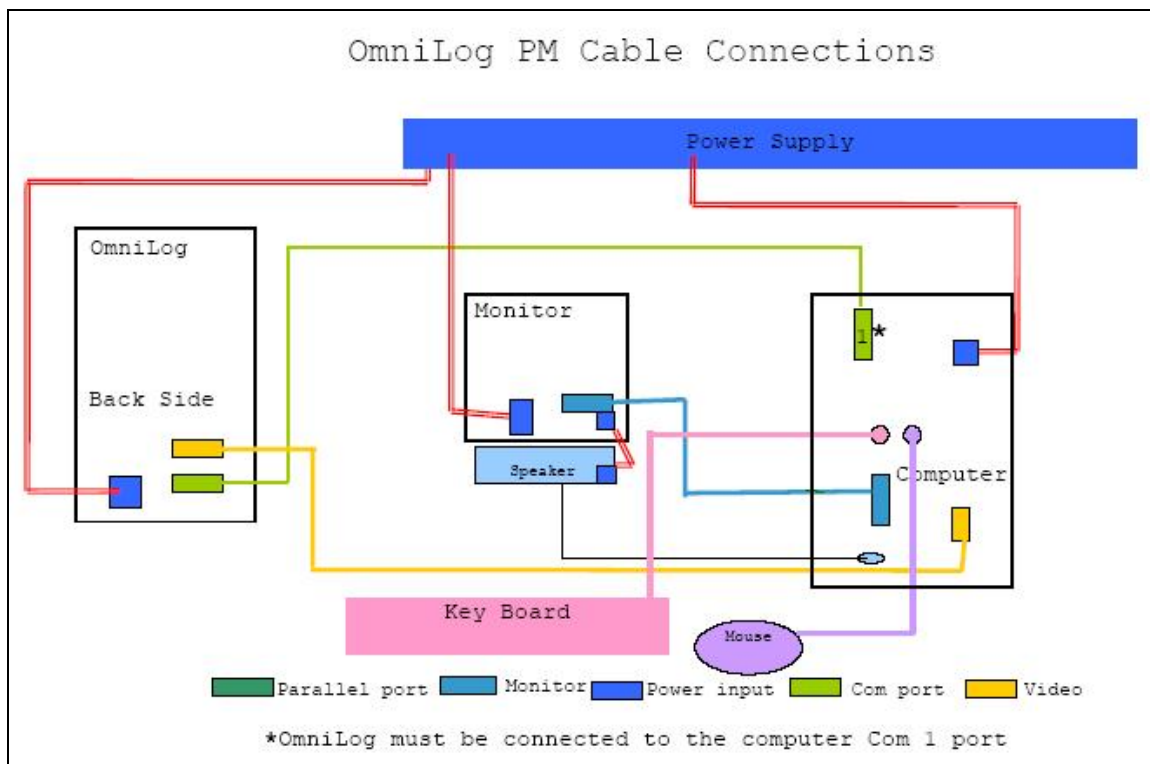
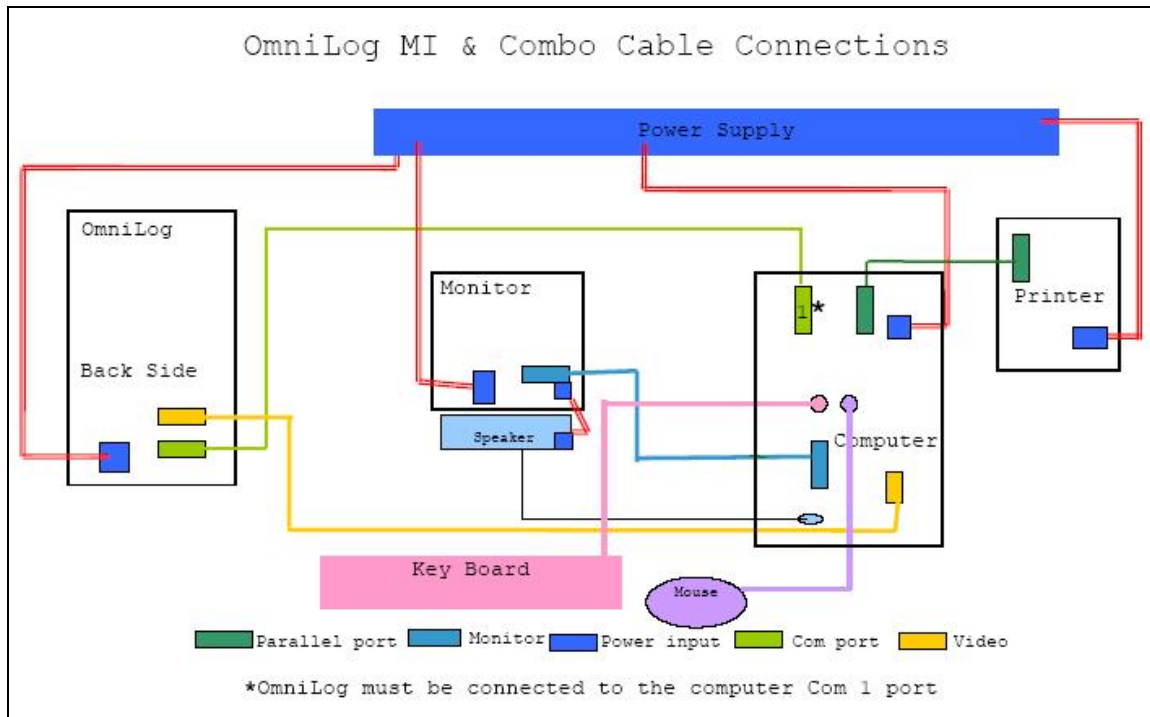
The OL system data collection software should be used as shipped. No antivirus software is to be installed. Excel may be installed by the end user. Any additional software loaded by the end user may conflict with the system operation. Please contact Biolog Technical Applications & Services for consultation.

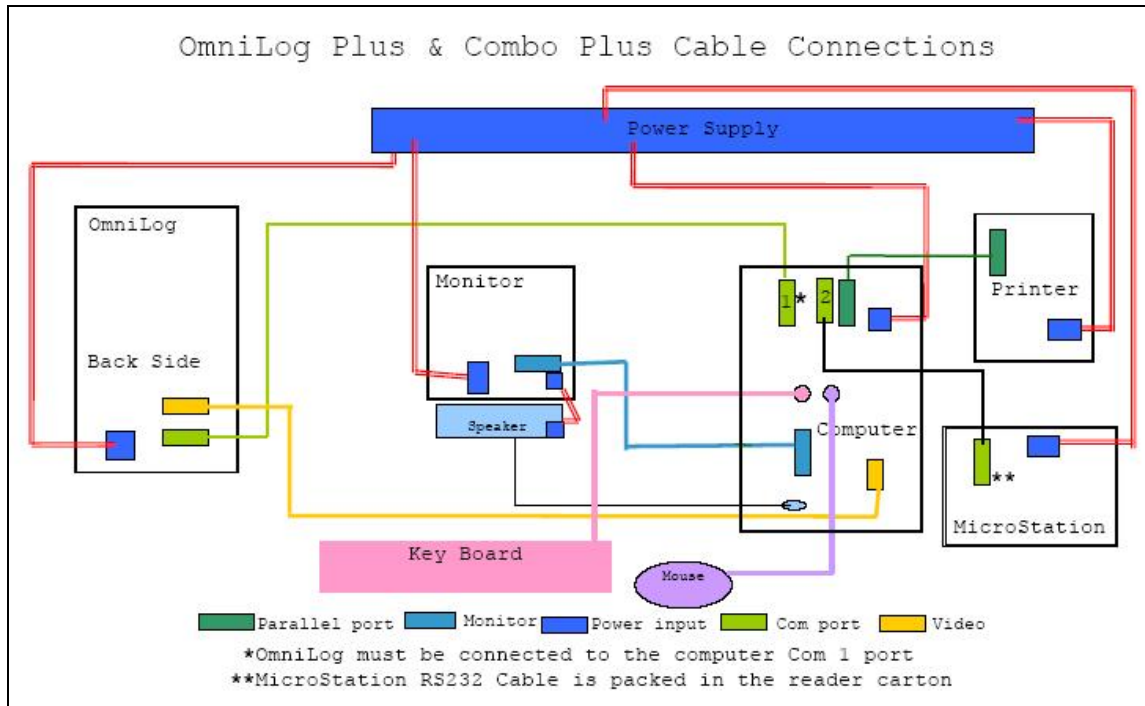
The OL system was developed and tested without network connectivity. Therefore, Biolog makes no claims of network compatibility. Performance and stability of the Biolog ID and/or PM systems during the addition of a network connection is the responsibility of the end user to verify.

Startup the OmniLog Incubator Reader

- Turn on the OmniLog and wait until the temperature is displayed on the front panel.
- Open the door and determine which row the camera box is at. (You will be able to see the pull knob in the back of that row.) Gently load the trays so that they are not fully inserted into position. Load trays into all rows except the row where the camera box is. All of the loaded trays should slide easily into their slots. Close the door. The door will correctly align the trays in the OmniLog. Save the 25th tray for loading later. You can move the camera from within the OmniLog Data Collection Program, Setup button in the Main tab. See the User Guide for detailed instructions. Inserting the tray too forcefully into position may damage the metal stop located in the back of the tray slot.
- The OmniLog is now ready for use according to the User Guide and Software Instructions.

Cable Connections Illustrations





Cleaning and Maintenance

The manufacturer recommends a routine maintenance service call annually. Different environments may require more frequent service calls.

Note: refer all servicing to Biolog-authorized personnel.

Note: for laboratory use only. The OmniLog is intended only for incubating and reading Biolog MicroPlates and Phenotype MicroArrays. Do not use for any other purpose.

Training

The OmniLog should be operated only by trained laboratory personnel. Refer to OmniLog User Guide for operating instructions. Additional training may be purchased from Biolog; contact Biolog Technical Applications & Service.

Technical Applications & Service
Biolog, Inc.
 21124 Cabot Blvd.
 Hayward, CA 94545-3716
 USA
 1-510-785-2564 Telephone
 1-510-782-4639 Fax
www.biolog.com
tech@biolog.com